

PROPRIETARY INFORMATION: PROPRIETARY OF GLOBTEK, INC. ANY REPRODUCTION, DISCLOSURE OR USE OF THIS DRAWING, IN WHOLE OR IN PART, IS HEREBY PROHIBITED EXCEPT AS SPECIFIED IN WRITING BY GLOBTEK, INC.	REVISION			
	REV	DESCRIPTION	DATE	APPROVED
	A	INITIAL RELEASE, RFS.2926, DMR	01/27/04	DMR

1. NOTES:

DIMENSIONS ARE IN MM UNLESS SPECIFIED OTHERWISE.

2. ELECTRICAL SPECIFICATIONS:

INPUT:

RATED VOLTAGE: 12V DC
 MAX.RATED CURRENT: ≤ 0.12A + 10%
 RATED POWER: 1.4 WATT
 CONNECTION LEAD TYPE: UL1571 / 28 AWG / 140 mm
 DIELECTRIC STRENGTH: 1500 V AC LEAD - HOUSING min.

OUTPUT:

AIR FLOW: 31CFM
 RATED SPEED: 2300 RPM ± 10%
 ROTATION: CLOCKWISE WITH LABEL SIDE FACING UP:

STATIC PRESSURE: 0.11 inch H₂O
 NOISE LEVEL: 24.5 DB

MECHANICAL:

SIZE: 80 x 80 x 25 mm
 TYPE: BRUSHLESS
 BEARING TYPE: SLEEVE
 RELATIVE HUMIDITY: 65% +/- 20% RH
 OPERATING TEMPERATURE: - 10°C TO + 70°C
 STORAGE TEMPERATURE: - 40°C TO + 70°C
 MOTOR PROTECTION: BY IMPEDANCE, AUTO RECOVERY FROM LOCKED ROTOR
 LIFE EXPECTANCY: 50,000 HRS AT 25°C
 APPROVALS: UL/CUL, CE, TUV
 WEIGHT: 120 gr

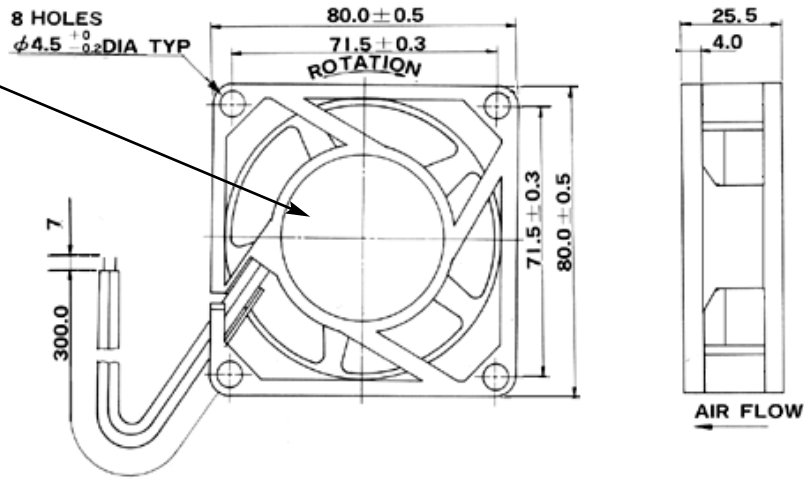
Foot Note: Globtek Inc. will not be liable for the safety and performance of these power supplies if unauthorized access and repair occurs. End user should consult applicable UL, CSA or EN standards for proper installation instructions	DASH NO.	PART NO	REV.	DESCRIPTION	NOTES	
	TABULATION BLOCK					
	REVISION	A	A			GlobTek, Inc. www.globtek.com 186 Veterans Dr. Northvale, NJ 07647 Tel. 201-784-1000 Fax 201.784.0111
	SHEET	1	2			
INIT.BY: DMR		DATE: 01/27/04	TOLERANCES: DECIMALS .xx +/- 0.1 ANGULAR +/- 1° .xxx +/- .005 MILLIMETERS .xx +/- 0.3 ANGULAR +/- 1° .xxx +/- .013		DWG TITLE: BRUSHLESS 12 V DC AXIAL COOLING FAN	
DRAWN: NF	DATE: 01/27/04	FSCN No.: G, A	SIZE A	MODEL NO: KDE1208PTS3-6	REV. A	
APRVD: DMR		DATE: 01/27/04	SCALE: NONE	PART NO: D08T12HWS	SHEET 1 OF 2	

Limitation of Use:
 Globtek product are not authorized for use as mission critical components in life support, hazardous environment, nuclear or aircraft applications without prior written approval from the CEO of Globtek Inc.

Contents of this document are subject to change without prior notice

PROPRIETARY INFORMATION: PROPRIETARY OF GLOBTEK, INC. ANY REPRODUCTION, DISCLOSURE OR USE OF THIS DRAWING, IN WHOLE OR IN PART, IS HEREBY PROHIBITED EXCEPT AS SPECIFIED IN WRITING BY GLOBTEK, INC.	REVISION			
	REV	DESCRIPTION	DATE	APPROVED
	A	INITIAL RELEASE, RFS.2926, DMR	01/27/04	DMR

LABEL LOCATION



NOTES:

1. LEAD WIRES ARE RED +Ve, BLACK -Ve UL 1571 28 AWG.
2. HOUSING AND FAN BLADE - UL 94V-0 GLASS FILLED POLYESTER (P.B.T.)

3. LABEL:



USA, TAIWAN OR CHINA

4. PACKING:

CLOBTEK STANDARD

GlobTek, Inc. www.globtek.com		186 Veterans Dr. Northvale, NJ 07647 Tel. 201-784-1000 Fax 201.784.0111
DWG TITLE: BRUSHLESS 12 V DC AXIAL COOLING FAN		
MODEL NO: KDE1208PTS3-6	REV. A	
PART NO: D08T12HWS	SHEET 1 OF 2	